

Model: TSB13202B-3N*

No.	Item	Symbol	Unit	Specification	No.	Item	Symbol	Unit	Specification
1	Drive	-	-	Relangular Wave	13	Rotor Inertia	J-M	kg-cm ²	12.14 ±10%
2	Cooling Method	-	-	Totally Enclosed	14	Rated Power Rate	Q-R	Kw/s	74/45
3	Exciting Method	-	-	Permanent Magnet	15	Resistance	Ra	Ω	0.58 ±10%/2 φ
4	Resolution	-	-	NOTED.	16	Inductance	L	mH	3.78 ±10%/2 φ
5	Rated Output	P-R	W	2kW	17	Mech. Time Constant	Tm	ms	0.80 ±10%
6	Rated Torque	T-R	N-m	9.545	18	Elect. Time Constant	Te	ms	6.59 ±10%
7	Max. Torque	T-max	N-m	28.645	19	Insulation Class	-	-	Class B
8	Rated Speed	N-R	rpm	2000	20	Operation Temp.	T	°C	0-40
9	Rated Current	I-R	A	9.18	21	Operation Humid.	RH	%	<90
10	Max. Current	I-max	A	27.5	22	Storage Temp.	T	°C	-20-60
11	Torque Constant	Kt	N.m/A	1.139 ±1.0%	23	Storage Humid.	RH	%	<90
12	Back emf (at 1800rpm)	Vemf	Volts	124 ±10%/2 φ	24	Weight	W	kg w	10.16

Notes:
 1. Motor to be IP67
 (excluding the shaft opening & connectors)
 2. Encoder TYPE: 2500ppr, 8192ppr
 17bit, 15bit

Military connector
MSS3102A20-4P

Military connector
MSS3102A20-18P

AC SERVO MOTOR

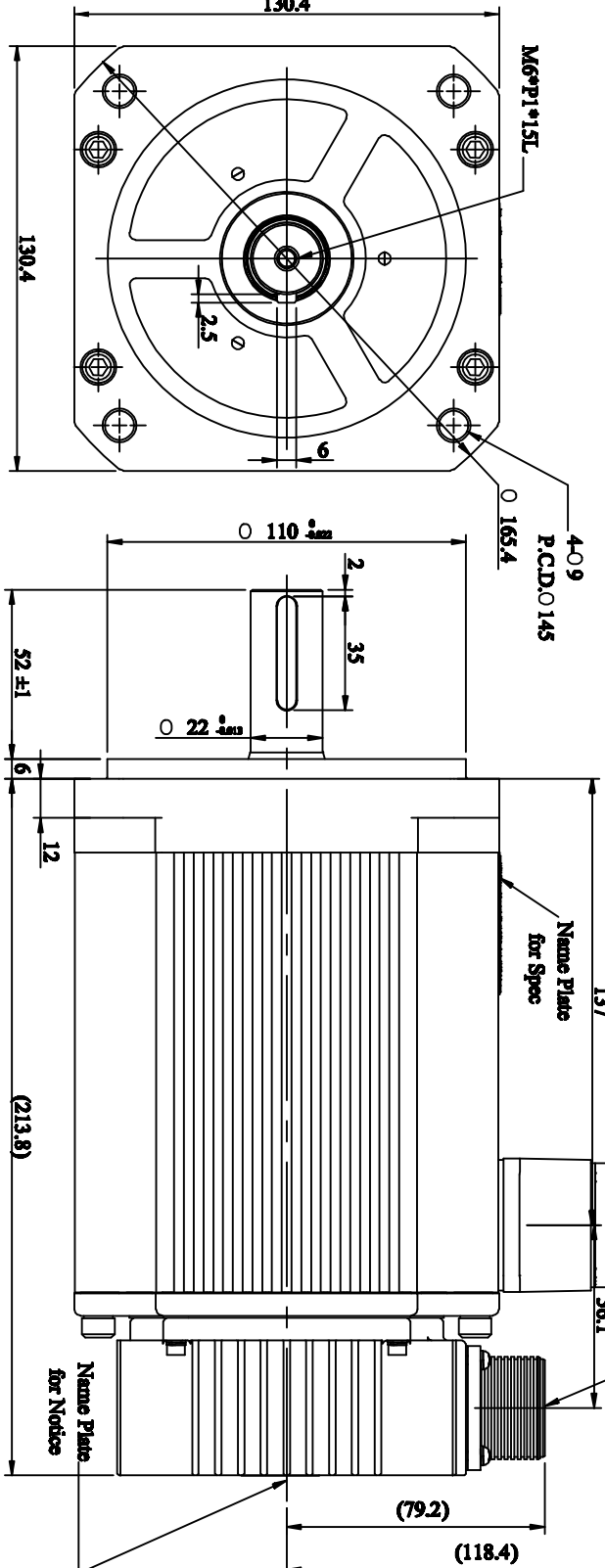
Model: TSB13202B-3N*

Ze: 2 kw Nt: 2000 rpm

It: 9.18A Tr: 97/4 kg-cm

NO: 000000000

TSB ELECTRONICS CORPORATION
22A, LINA RD., TAINAN TAIWAN



Do not illuminate
Name Plate for Notices

Name Plate for Spec

Name Plate for Spec

Name Plate for Notices

STANDARD TOLERANCE

X ±0.5
 XX ±0.2
 ANGLE ±30'

MATERIAL

REV/ DESCRIPTION SIGNATURE DATE

DATE

APVD

CHKO

CHKO

DWN

SJLin

05-11-10

SCALE

1/2

UNIT

m m

TITLE

3RD AP

Page Design

DWG. NO.

DTSB13202B3N*

1

2

3

4

5

6

Servo Motor Outline Drawing

TSB13202B-3N*

DTSB13202B3N*